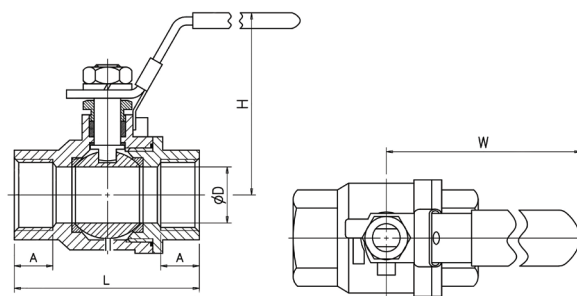


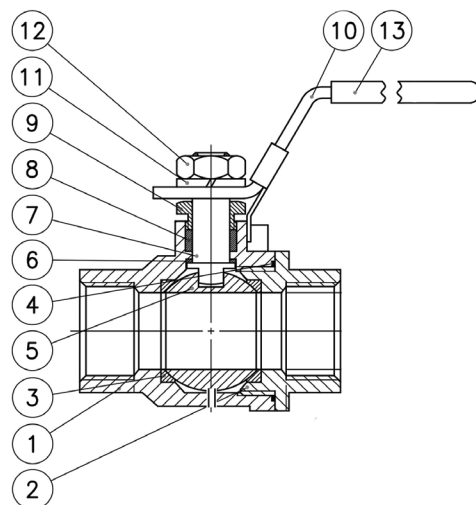
### Ball Valve 2-Way

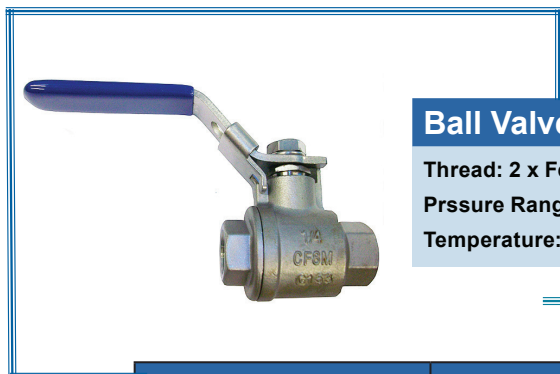
**Thread: 2 x Female BSPP**  
**Pressure Range : 65 Bar**  
**Temperature: -34°C.....+200°C**



Product Code	Threads (BSPP)	Dimensions in mm					Weight (kg)
		ØD	L	A	H	W	
L-242BSPP1/4AISI316	1/4"	8	50,0	9,4	57,0	96,0	0,23
L-242BSPP1/2AISI316	1/2"	15	60,0	12,7	57,0	96,0	0,33
L-242BSPP3/4AISI316	3/4"	20	65,0	14,1	63,0	110,0	0,42
L-242BSPP1AISI316	1"	25	76,0	16,2	70,0	113,0	0,74
L-242BSPP1 1/2AISI316	1 1/2"	40	120,0	25,1	90,0	160,0	1,75
L-242BSPP2AISI316	2"	50	140,0	26,6	94,0	160,0	2,7

Item	Description	Material	Quantity
1	Body	ASTM 351 CF8M	1
2	Body Cap	ASTM 351 CF8M	1
3	Seat	PTFE	2
4	Body Gasket	PTFE	1
5	Ball	ASTM 351 CF8M/316	1
6	Thrust Washer	PTFE	1
7	Stem	ASTM A276 316	1
8	Stem Packing	PTFE	1
9	Gland	AISI 304	1
10	Handle	AISI 304	1
11	Spring Washer	AISI 304	1
12	Handle Nut	AISI 304	1
13	Sleeve	VINYL PLASTISOL	1



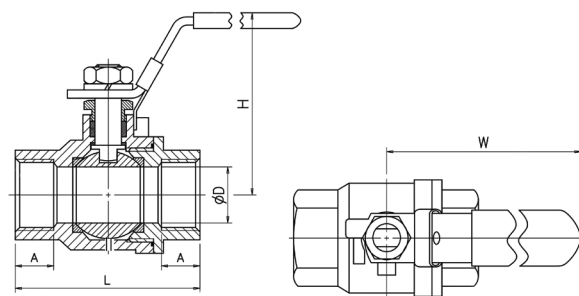


### Ball Valve 2-Way with Exh.

Thread: 2 x Female BSPP

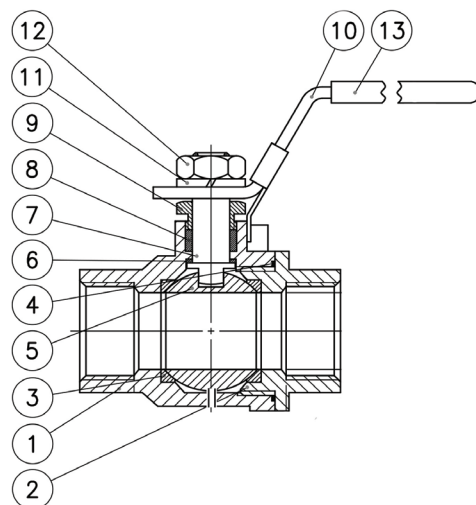
Prssure Range : 65 Bar

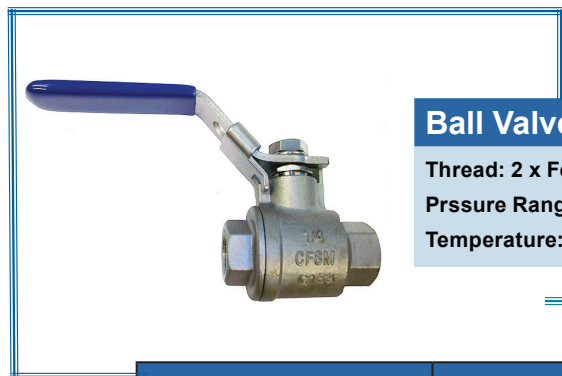
Temperature: -34°C.....+200°C



Product Code	Threads (BSPP)	Dimensions in mm					Weight (kg)
		ØD	L	A	H	W	
L-242ABSPP1/4AISI316EX	1/4"	8	50,0	9,4	57,0	96,0	0,23
L-242ABSPP1/2AISI316EX	1/2"	15	60,0	12,7	57,0	96,0	0,34
L-242ABSPP3/4AISI316EX	3/4"	20	65,0	14,1	63,0	110,0	0,42
L-242ABSPP1AISI316EX	1"	25	76,0	16,2	70,0	113,0	0,74
L-242ABSPP11/2AISI316EX	1 1/2"	40	120,0	25,1	90,0	160,0	1,75
L-242ABSPP2AISI316EX	2"	50	140,0	26,6	94,0	160,0	2,7

Item	Description	Material	Quantity
1	Body	ASTM 351 CF8M	1
2	Body Cap	ASTM 351 CF8M	1
3	Seat	PTFE	2
4	Body Gasket	PTFE	1
5	Ball	ASTM 351 CF8M/316	1
6	Thrust Washer	PTFE	1
7	Stem	ASTM A276 316	1
8	Stem Packing	PFTE	1
9	Gland	AISI 304	1
10	Handle	AISI 304	1
11	Spring Washer	AISI 304	1
12	Handle Nut	AISI 304	1
13	Sleeve	VINYL PLASTISOL	1



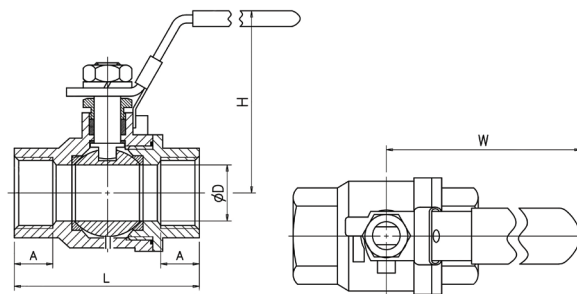


### Ball Valve 2-Way

Thread: 2 x Female NPT

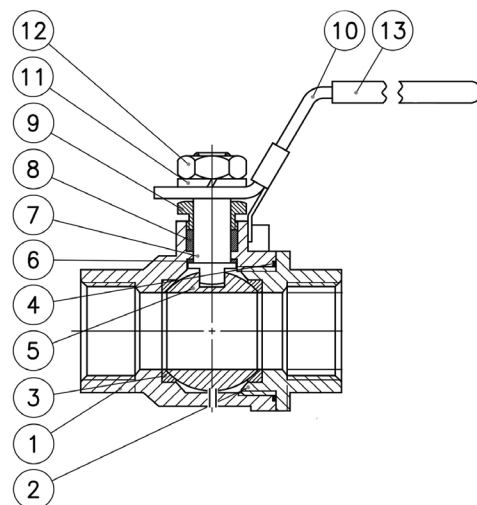
Pressure Range : 65 Bar

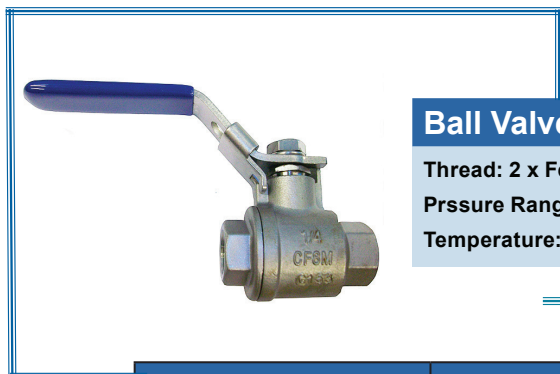
Temperature: -34°C.....+200°C



Product Code	Threads (NPT)	Dimensions in mm					Weight (kg)
		ØD	L	A	H	W	
L-241NPT1/4AISI316	1/4"	8	50,0	9,4	57,0	96,0	0,23
L-241NPT1/2AISI316	1/2"	15	60,0	12,7	57,0	96,0	0,33
L-241NPT3/4AISI316	3/4"	20	65,0	14,1	63,0	110,0	0,42
L-241NPT1AISI316	1"	25	76,0	16,2	70,0	113,0	0,74
L-241NPT1 1/2AISI316	1 1/2"	40	120,0	25,1	90,0	160,0	1,75
L-241NPT2AISI316	2"	50	140,0	26,6	94,0	160,0	2,7

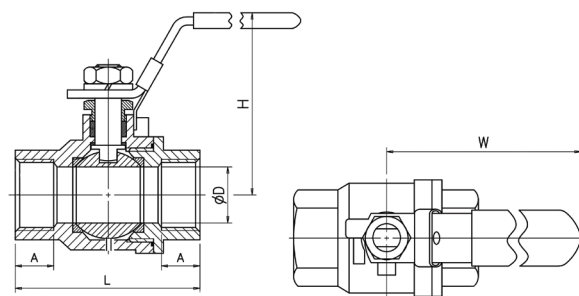
Item	Description	Material	Quantity
1	Body	ASTM 351 CF8M	1
2	Body Cap	ASTM 351 CF8M	1
3	Seat	PTFE	2
4	Body Gasket	PTFE	1
5	Ball	ASTM 351 CF8M/316	1
6	Thrust Washer	PTFE	1
7	Stem	ASTM A276 316	1
8	Stem Packing	PTFE	1
9	Gland	AISI 304	1
10	Handle	AISI 304	1
11	Spring Washer	AISI 304	1
12	Handle Nut	AISI 304	1
13	Sleeve	VINYL PLASTISOL	1





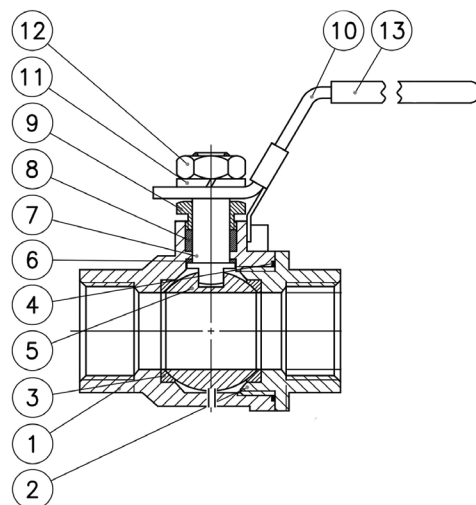
### Ball Valve 2-Way with Exh.

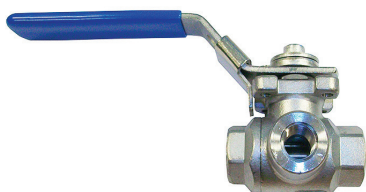
**Thread: 2 x Female NPT**  
**Prssure Range : 65 Bar**  
**Temperature: -34°C.....+200°C**



Product Code	Threads (NPT)	Dimensions in mm					Weight (kg)
		ØD	L	A	H	W	
L-241NPT1/4AISI316EX	1/4"	8	50,0	9,4	57,0	96,0	0,23
L-241NPT1/2AISI316EX	1/2"	15	60,0	12,7	57,0	96,0	0,34
L-241NPT3/4AISI316EX	3/4"	20	65,0	14,1	63,0	110,0	0,42
L-241NPT1AISI316EX	1"	25	76,0	16,2	70,0	113,0	0,74
L-241NPT1 1/2AISI316EX	1 1/2"	40	120,0	25,1	90,0	160,0	1,75
L-241NPT2AISI316EX	2"	50	140,0	26,6	94,0	160,0	2,7

Item	Description	Material	Quantity
1	Body	ASTM 351 CF8M	1
2	Body Cap	ASTM 351 CF8M	1
3	Seat	PTFE	2
4	Body Gasket	PTFE	1
5	Ball	ASTM 351 CF8M/316	1
6	Thrust Washer	PTFE	1
7	Stem	ASTM A276 316	1
8	Stem Packing	PFTE	1
9	Gland	AISI 304	1
10	Handle	AISI 304	1
11	Spring Washer	AISI 304	1
12	Handle Nut	AISI 304	1
13	Sleeve	VINYL PLASTISOL	1



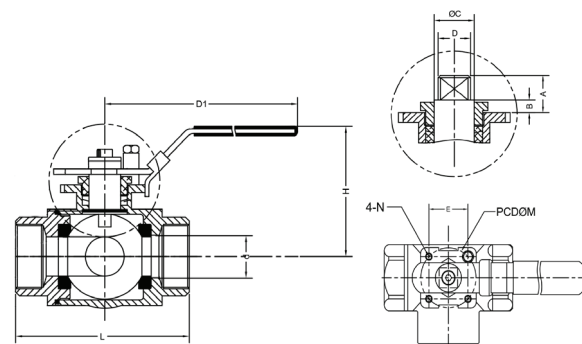


### Ball Valve 3-Way

Thread: 3 x Female NPT

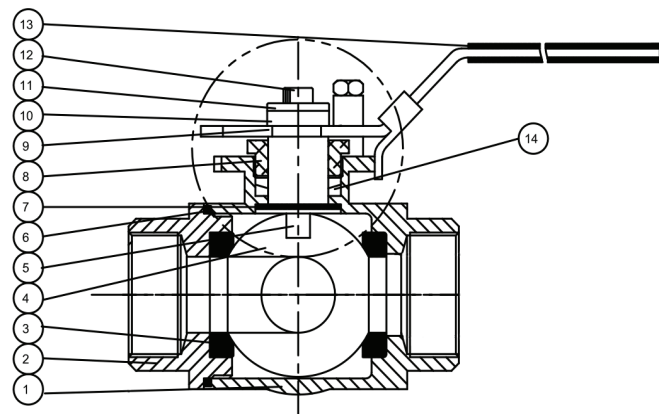
Prssure Range : 65 Bar

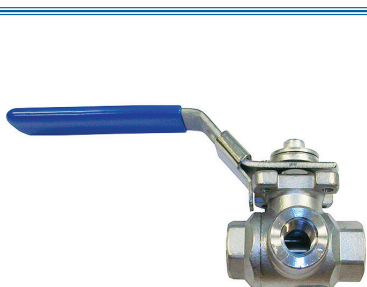
Temperature: -34°C.....+200°C



Product Code	Threads (NPT)	Dimensions in mm												Weight (kg)
		d	L	H	D1	A	B	C	D	E	F	M	N	
L-230NPT1/4AISI316	1/4"	11,0	57,2	62,7	133,0	11,0	6	12	9	25,0	29,0	36	M5x0,8	0,40
L-230NPT3/8AISI316	3/8"	11,0	57,2	62,7	133,0	11,0	6	12	9	25,0	29,0	36	M5x0,8	0,42
L-230NPT1/2AISI316	1/2"	12,5	66,0	64,7	133,0	11,0	6	12	9	25,0	33,5	36	M5x0,8	0,45
L-230NPT3/4AISI316	3/4"	16,0	77,0	67,7	133,0	11,0	6	12	9	25,0	38,7	36	M5x0,8	0,60
L-230NPT1AISI316	1"	20,0	88,5	71,2	133,0	11,0	6	12	9	29,0	46,0	42	M5x0,8	0,90
L-230NPT11/4AISI316	1 1/4"	25,4	103,3	88,7	178,5	23,5	8	15	11	35,5	51,7	50	M6x1,0	1,20
L-230NPT11/2AISI316	1 1/2"	31,8	111,0	93,7	178,5	23,5	8	15	11	35,5	61,0	50	M6x1,0	1,80
L-230NPT2AISI316	2"	38,1	136,4	98,2	178,5	23,5	8	15	14	35,5	71,4	50	M6x1,0	3,10

Item	Description	Material	Quantity
1	Body	ASTM 351 CF8M	1
2	Body Cap	ASTM 351 CF8M	1
3	Seat	PTFE	2
4	Body Gasket	PTFE	1
5	Ball	ASTM 351 CF8M/316	1
6	Thrust Washer	PTFE	1
7	Stem	ASTM A276 316	1
8	Stem Packing	PFTE	1
9	Gland	AISI 304	1
10	Handle	AISI 304	1
11	Spring Washer	AISI 304	1
12	Handle Nut	AISI 304	1
13	Sleeve	VINYL PLASTISOL	1



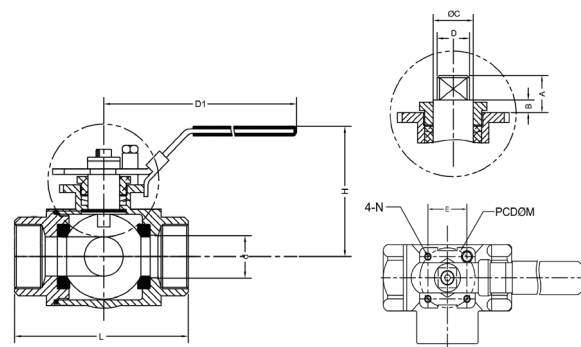


### Ball Valve 3-Way

Thread: 3 x Female BSPP

Prssure Range : 65 Bar

Temperature: -34°C.....+200°C



Product Code	Threads (BSPP)	Dimensions in mm												Weight (kg)
		d	L	H	D1	A	B	C	D	E	F	M	N	
L-230BSPP1/4AISI316	1/4"	11,0	57,2	62,7	133,0	11,0	6	12	9	25,0	29,0	36	M5x0,8	0,40
L-230BSPP3/8AISI316	3/8"	11,0	57,2	62,7	133,0	11,0	6	12	9	25,0	29,0	36	M5x0,8	0,42
L-230BSPP1/2AISI316	1/2"	12,5	66,0	64,7	133,0	11,0	6	12	9	25,0	33,5	36	M5x0,8	0,45
L-230BSPP3/4AISI316	3/4"	16,0	77,0	67,7	133,0	11,0	6	12	9	25,0	38,7	36	M5x0,8	0,60
L-230BSPP1AISI316	1"	20,0	88,5	71,2	133,0	11,0	6	12	9	29,0	46,0	42	M5x0,8	0,90
L-230BSPP1 1/4AISI316	1 1/4"	25,4	103,3	88,7	178,5	23,5	8	15	11	35,5	51,7	50	M6x1,0	1,20
L-230BSPP1 1/2AISI316	1 1/2"	31,8	111,0	93,7	178,5	23,5	8	15	11	35,5	61,0	50	M6x1,0	1,80
L-230BSPP2AISI316	2"	38,1	136,4	98,2	178,5	23,5	8	15	14	35,5	71,4	50	M6x1,0	3,10

Item	Description	Material	Quantity
1	Body	ASTM 351 CF8M	1
2	Body Cap	ASTM 351 CF8M	1
3	Seat	PTFE	2
4	Body Gasket	PTFE	1
5	Ball	ASTM 351 CF8M/316	1
6	Thrust Washer	PTFE	1
7	Stem	ASTM A276 316	1
8	Stem Packing	PFTE	1
9	Gland	AISI 304	1
10	Handle	AISI 304	1
11	Spring Washer	AISI 304	1
12	Handle Nut	AISI 304	1
13	Sleeve	VINYL PLASTISOL	1

